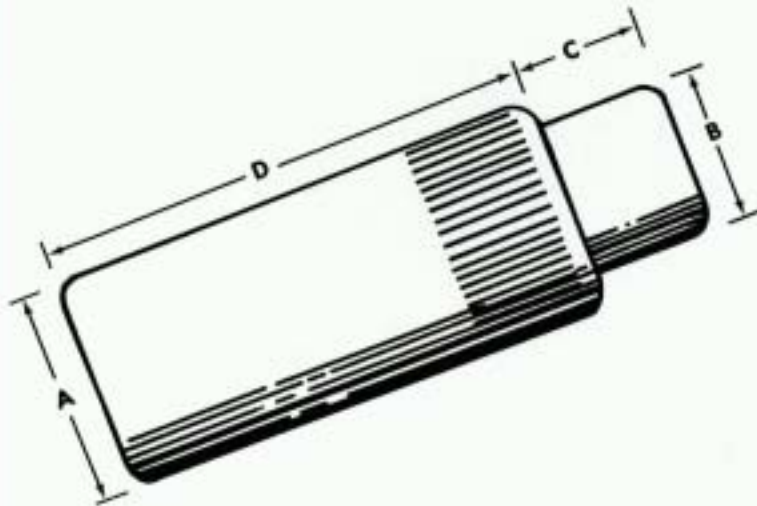
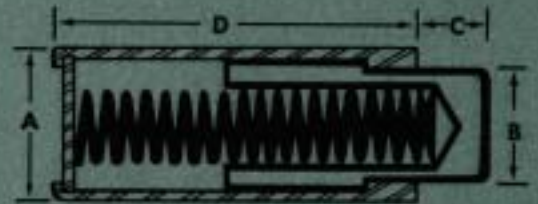


# *Amcor* DIE STOP PINS



- DRILL & REAM HOLE
- PRESS IN PLACE
- RUGGED
- CASE HARDENED PIN
- SIMPLICITY OF INSTALLATION
- CAD PLATED – NO RUST
- COMPACT – MIN. SPACE REQ'D
- NUMEROUS APPLICATIONS



STOCK NO.	A	B	C	D	APPROX END PRESSURE
DSP-2	1/2	3/8	1/4	1-1/8	3-1/2 lbs.
DSP-4	3/8	1/4	3/16	25/32	3 lbs.
DSP-6	5/16	3/16	3/16	9/16	2-1/2 lbs.
DSP-8	1/4	5/32	1/8	1/2	1-1/4 lbs.



ACTUAL SIZE

*DISTRIBUTED BY*

Packed Twelve Per Package  
Sold in Full Packs Only  
Order by Stock Number

*SEE SEPARATE PRICE SCHEDULE*

Manufactured by

**APPLIED MECHANICS CORP.**

14200 IRONWOOD DRIVE, N.W. • GRAND RAPIDS, MI 49504  
616-677-1355 • FAX 616-677-5969

SEE SEPARATE PRICE SCHEDULE.