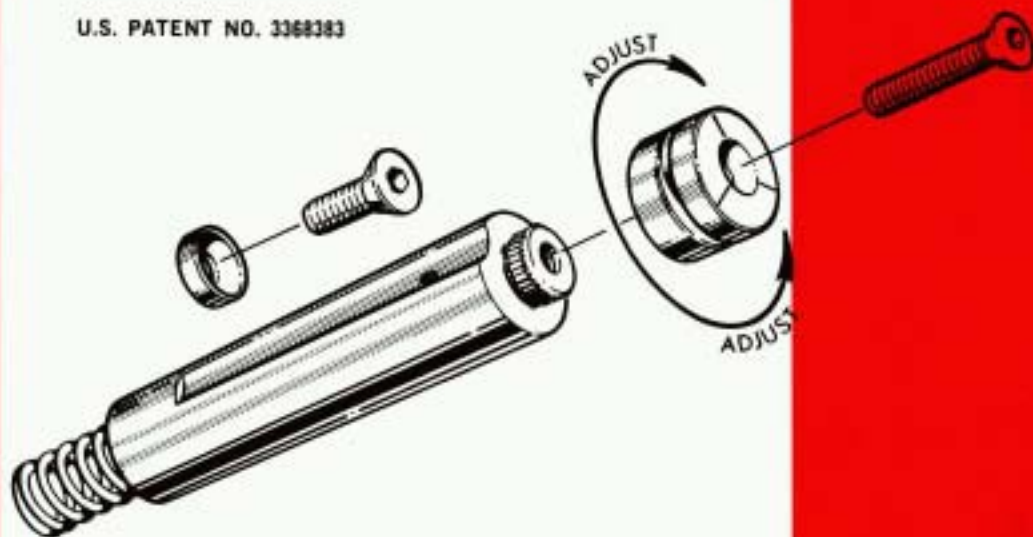




# ADJUSTABLE STOCK LIFTERS

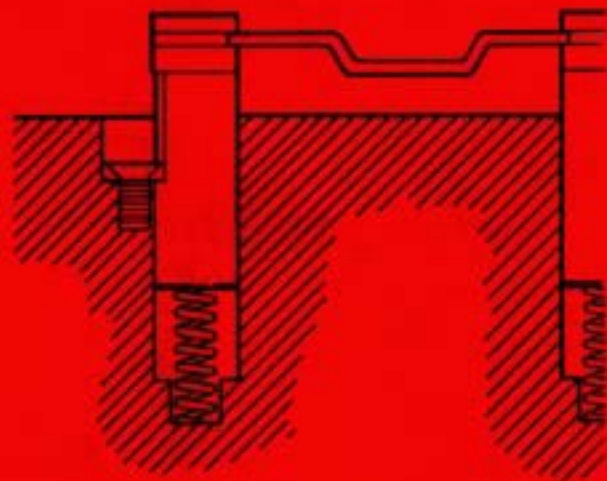
U.S. PATENT NO. 3368383



**RUGGED  
PRECISION  
LONG LIFE  
ADJUSTABLE**

- HARDENED & PRECISION GROUND
- INTERCHANGEABLE - REPLACEABLE HEADS
- ENGINEERED SPRINGS FOR UNIFORM LOADS AND LONG LIFE
- ADJUSTABLE GUIDE SLOT - ONE BORE LOCATION
- MINIMUM SPRING DEPTH - RELATIVE TO STROKE
- STOCKED - NATIONWIDE DISTRIBUTION
- ADAPTERS - FOR CUSTOM RAILS
- MARKED FOR EASY ALIGNMENT
- VENTED

DISTRIBUTED BY



Manufactured by

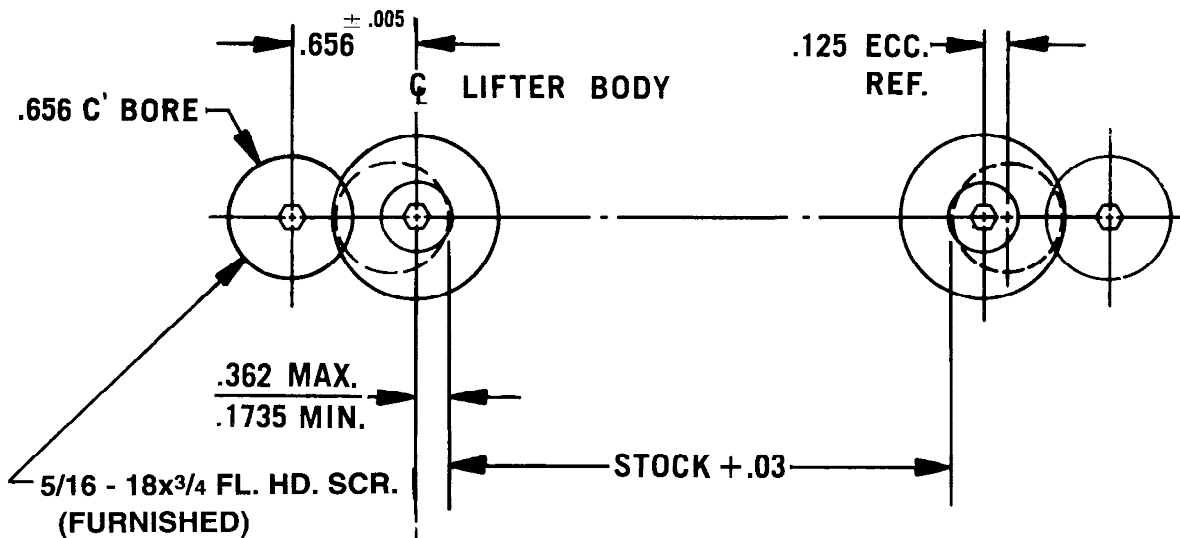
**APPLIED MECHANICS CORP.**

14200 IRONWOOD DRIVE, GRAND RAPIDS, MICHIGAN 49504  
616-977-1355 FAX 616-977-5969

SEE FOLLOWING PAGES FOR FULL SCALE TRACING TEMPLATES

PRINTED IN U.S.A.

FULL SCALE

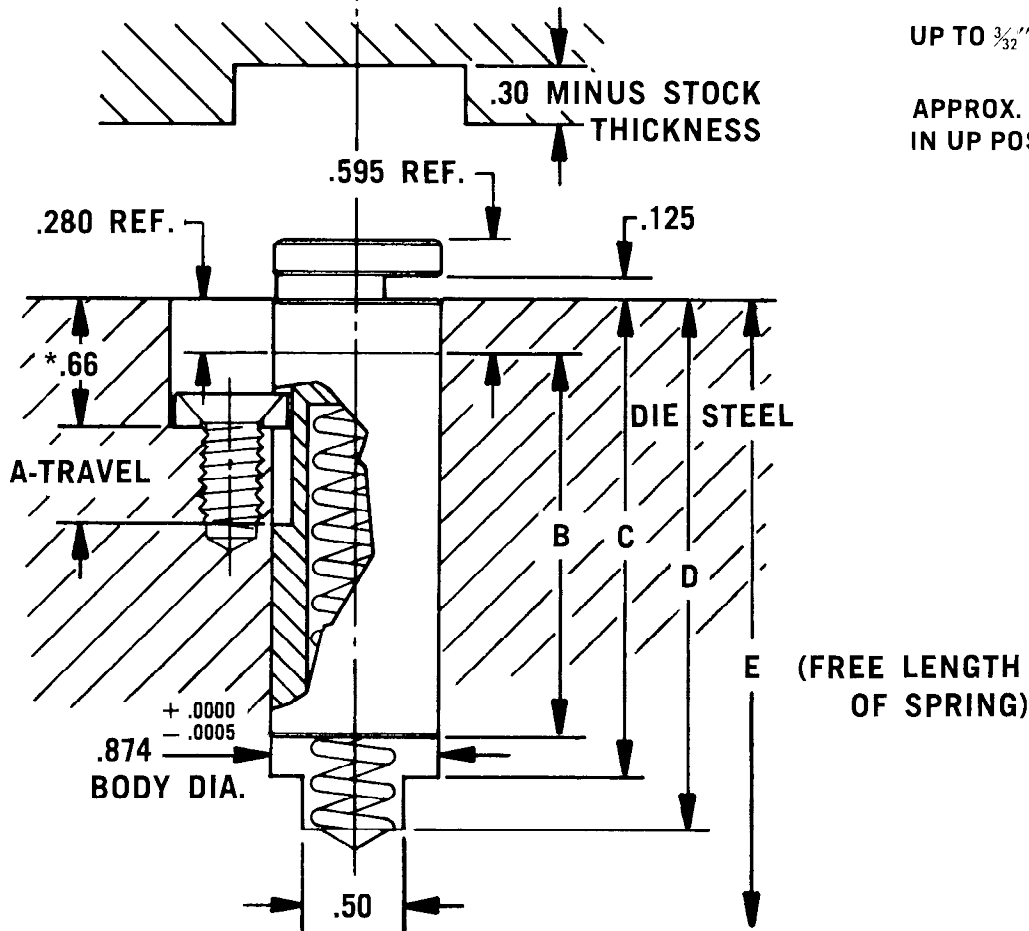


# MODEL-SLA

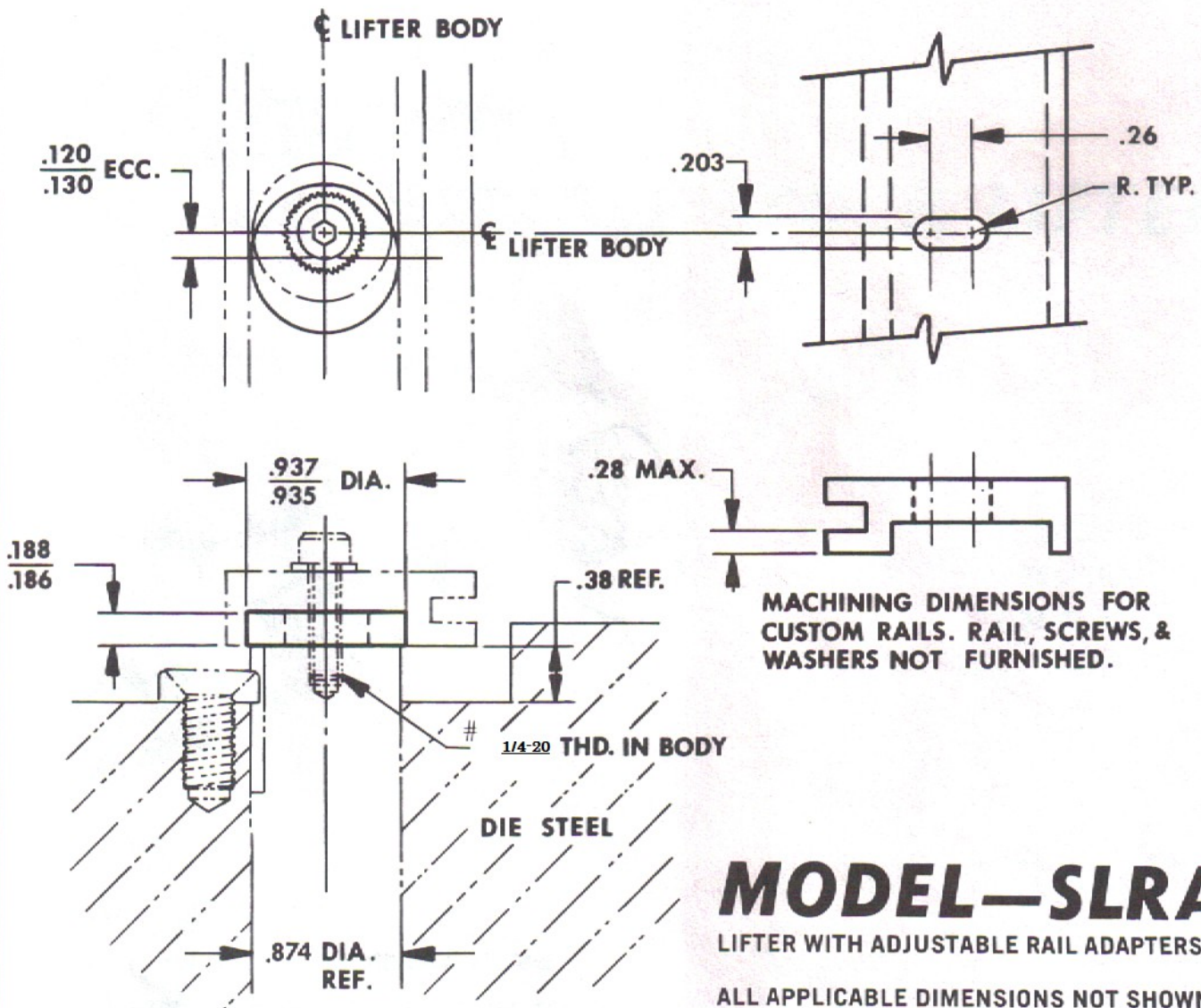
STANDARD ADJUSTABLE STOCK LIFTER

UP TO  $3/32$ " THICK STOCK

APPROX. 8# LIFTING PRESSURE  
IN UP POSITION



\*DEPTH IS FOR STANDARD TRAVEL INCREMENTS OF  $1/4$  INCH  
INCREASE DEPTH TO DECREASE TRAVEL BETWEEN STANDARD SIZES



MODEL NO. (STD)	MODEL NO. (RAIL)	A	B	C	D	E	STD. MODEL HEAD
SLA - .50	SLRA - .50	.50	2.00	2.44	2.78	3.00	SLA - .50 H
" - .75	" - .75	.75	2.25	2.69	3.22	3.75	" - .75 H
" - 1.00	" - 1.00	1.00	2.50	2.94	3.75	4.62	" - 1.00 H
" - 1.25	" - 1.25	1.25	2.75	3.19	4.28	5.50	" - 1.25 H
" - 1.50	" - 1.50	1.50	3.00	3.44	4.81	6.38	" - 1.50 H
" - 1.75	" - 1.75	1.75	3.25	3.69	5.34	7.25	" - 1.75 H
" - 2.00	" - 2.00	2.00	3.50	3.94	5.78	8.00	" - 2.00 H
" - 2.50	" - 2.50	2.50	4.00	4.44	5.78	8.00	" - 2.50 H

WHEN ORDERING — SPECIFY QUANTITY AND COMPLETE MODEL OR PART NO.

WHEN ORDERING REPLACEMENT HEADS ONLY — GIVE MODEL NO.  
COMPLETE WITH SUFFIX "H" AS SHOWN

EACH LIFTER COMES PACKAGED COMPLETE — BODY, HEAD (OR RAIL  
ADAPTER), SPRING, SCREWS & RETAINER