

# MODEL - SLC

STANDARD ADJUSTABLE STOCK LIFTER

**BODY DIAMETER 0.750**

UP TO  $\frac{3}{32}$ " THICK STOCK

APPROX. 8# LIFTING PRESSURE  
 IN UP POSITION

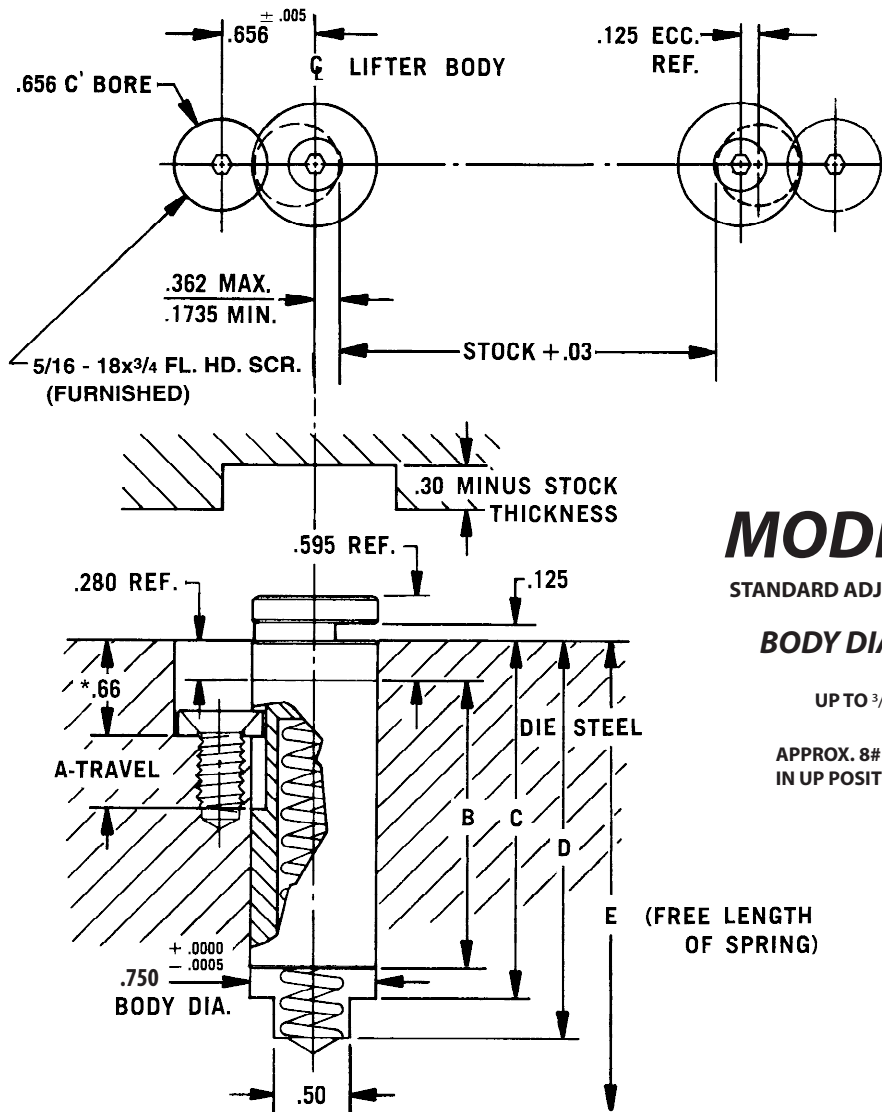
MODEL NO. (STD)	A	B	C	D	E	MODEL NO. HEAD	MODEL NO. RAIL
SLC-0.50	0.500	1.781	2.440	2.780	3.000	SLC-0.50H	SLRC-0.50
SLC-0.75	0.750	2.031	2.690	3.220	3.750	SLC-0.75H	SLRC-0.75
SLC-1.00	1.000	2.281	2.940	3.750	4.620	SLC-1.00H	SLRC-1.00
SLC-1.25	1.250	2.531	3.190	4.280	5.500	SLC-1.25H	SLRC-1.25
SLC-1.50	1.500	2.781	3.440	4.810	6.380	SLC-1.50H	SLRC-1.50
SLC-1.75	1.750	3.031	3.690	5.340	7.250	SLC-1.75H	SLRC-1.75
SLC-2.00	2.000	3.281	3.940	5.780	8.000	SLC-2.00H	SLRC-2.00

\*DEPTH IS FOR STANDARD TRAVEL INCREMENTS OF  $\frac{1}{4}$  INCH

# Amcor

## TOOLING ACCESSORIES

### Adjustable Stock Lifter



## MODEL - SLC

STANDARD ADJUSTABLE STOCK LIFTER

**BODY DIAMETER 0.750**

UP TO 3/32" THICK STOCK

APPROX. 8# LIFTING PRESSURE  
IN UP POSITION

E (FREE LENGTH  
OF SPRING)

MODEL NO. (STD)	A	B	C	D	E	MODEL NO. HEAD	MODEL NO. RAIL
SLC-0.50	0.500	1.781	2.440	2.780	3.000	SLC-0.50H	SLRC-0.50
SLC-0.75	0.750	2.031	2.690	3.220	3.750	SLC-0.75H	SLRC-0.75
SLC-1.00	1.000	2.281	2.940	3.750	4.620	SLC-1.00H	SLRC-1.00
SLC-1.25	1.250	2.531	3.190	4.280	5.500	SLC-1.25H	SLRC-1.25
SLC-1.50	1.500	2.781	3.440	4.810	6.380	SLC-1.50H	SLRC-1.50
SLC-1.75	1.750	3.031	3.690	5.340	7.250	SLC-1.75H	SLRC-1.75
SLC-2.00	2.000	3.281	3.940	5.780	8.000	SLC-2.00H	SLRC-2.00

\*DEPTH IS FOR STANDARD TRAVEL INCREMENTS OF 1/4 INCH

Applied Mechanics Corp. • 14122 Ironwood Dr. NW • Grand Rapids, MI 49534  
 800-572-0141 • fax: 866-677-5969 • email: sales@amcortooling.com  
 www.amcortooling.com • www.facebook.com/amcortooling